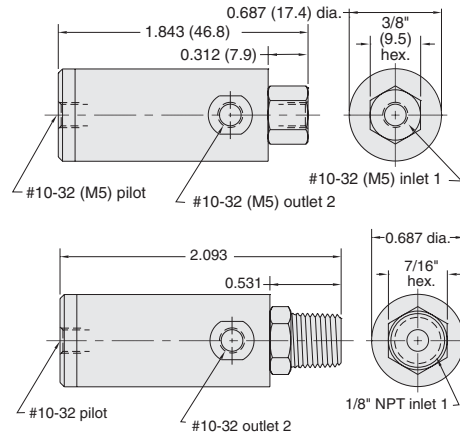
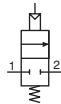


Piloted Actuated Water Drawback Valves

When this Normally-Closed valve closes a spring biased internal piston draws back a small volume on outlet side (approx. 6-7" in 1/8" I.D. tube) thus preventing overflow or dribbles. Ideal for use in quenching or water spray applications.



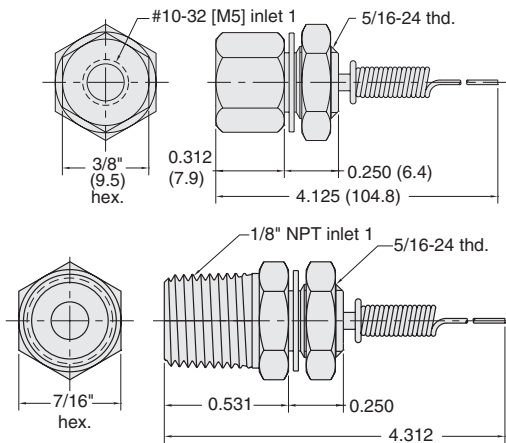
- Medium:** Water or Other Light Liquids
- Input Pressure:** 100 psig/10 bar max.
- Pilot Pressure:** 25 psig min.
- Flow:** 74 cu. in. H₂O per min. @ 80 psig
- Drawback:** 0.07 cu. in. (1.2 ml)
- Mounting:** Mounts in-line



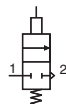
Part No.	Description
WDV-2	Poppet Valve with Air Pilot, #10-32
WDV-2-M5	Poppet Valve with Air Pilot, M5
WDV-2P	Poppet Valve with Air Pilot, 1/8" NPT

2-Way Normally-Closed Whisker Valve

For use with bleed pressure piloted control circuits. Coil spring stainless steel whisker is easily replaceable and can be formed to different shapes.

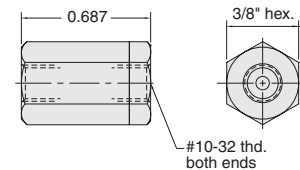


- Medium:** Air
- Input Pressure:** 150 psig/10 bar max.
- Air Flow:** 1.0 scfm @ 50 psig; 1.5 scfm @ 100 psig
- Force For Full Stem Travel:** 1/4 oz. approx.
- Mounting:** 5/16-24 male thread. Nut and lockwashers furnished
- Bleed:** To atmosphere around whisker stem
- Whisker:** Stainless steel, approx. 3" (76.2) length. Replaceable (Part No. 12375)



In-Line Fixed Orifice Air Chokes

Each choke is calibrated for precise flow



- Medium:** Air
- Material:** Brass
- Working Range:** 0 to 300 psig max.

Part No.	Description
MAC-A	Air Choke, 0.0135" Hole, Yellow Disk
MAC-B	Air Choke, 0.010" Hole, Green Disk
MAC-C	Air Choke, 0.0075" Hole, Blue Disk
MAC-D	Air Choke, 0.006" Hole, Red Disk



Quality remains a primary feature of every product Clippard produces. This is achieved through the excellence

in manufacturing practices and craftsmanship that has continued throughout the years. The company motto—Quality People, Quality Products—emphasizes the important role every employee plays in maintaining the company's reputation.